



---

**KNEO350 AI Server  
Rail Installation Guide**

---

info @ kneron.us

## Table of Contents

- 1. Introduction ..... 4
- 2. Special Features ..... 4
- 3. Specifications ..... 4
- 4. Installation Procedure..... 5
- 5. Removing the Chassis from the Rack..... 8
- 6. Warranty Information..... 9

info @ kneron.us

## List of Figures

Figure 1 Rail Assembly — RMS05-22 Slide Rail Kit.....	4
Figure 1 Step 1 — Detaching the inner rail member from the outer/middle assembly.....	5
Figure 1 Step 2 — Attaching the inner rail member to the KNEO350 chassis.....	6
Figure 1 Step 3 — Mounting the outer rail member to the server rack cabinet.....	7
Figure 1 Step 4 — Inserting the KNEO350 chassis into the rack.....	7
Figure 1 Step 5 — Removing the KNEO350 chassis from the rack.....	8

## List of Tables

Table 1 Rail Kit Specifications.....	4
Table 1 Warranty Terms & Conditions.....	9

## Revision History

Author	Version	Protocol Ver.	Revision Date	Revision Description
—	V1.0	N/A	2025/06/24	KNEO350 Rail Installation Guide — Initial release.



Figure 1 Rail Assembly — RMS05-22 Slide Rail Kit

## 1. Introduction

The SST-RMS05-22 rail kit is designed to support rack-mount installation of the Kneron KNEO350 AI Server into standard 19-inch server rack cabinets. Manufactured with precision mounting holes and high-strength steel, this product provides a secure and convenient connection between the KNEO350 chassis and the server rack. In addition to its tool-less design, screw mounting provisions are also available for additional security.

## 2. Special Features

- Tool-less design for easy installation and removal
- Maximum loading capacity up to 77.16 lbs (35 kg)
- Supports 3U and 4U chassis form factors
- Supports 440 mm wide chassis (compatible with KNEO350)

## 3. Specifications

Table 1 Rail Kit Specifications

Item	Specification
Model No.	SST-RMS05-22
Compatible Chassis	KNEO350 AI Server
Material	Steel
Support max. weight	35 kg (77.16 lbs)
Net Weight	2.8 kg
Dimension	611 mm (W) × 38 mm (H) × 12.5 mm (D)

## 4. Installation Procedure

Follow the steps below to install the KNEO350 AI Server into a server rack cabinet using the RMS05-22 rail kit. Please read all steps carefully before beginning installation.

### Step 1 — Release and detach the inner member from the slide.

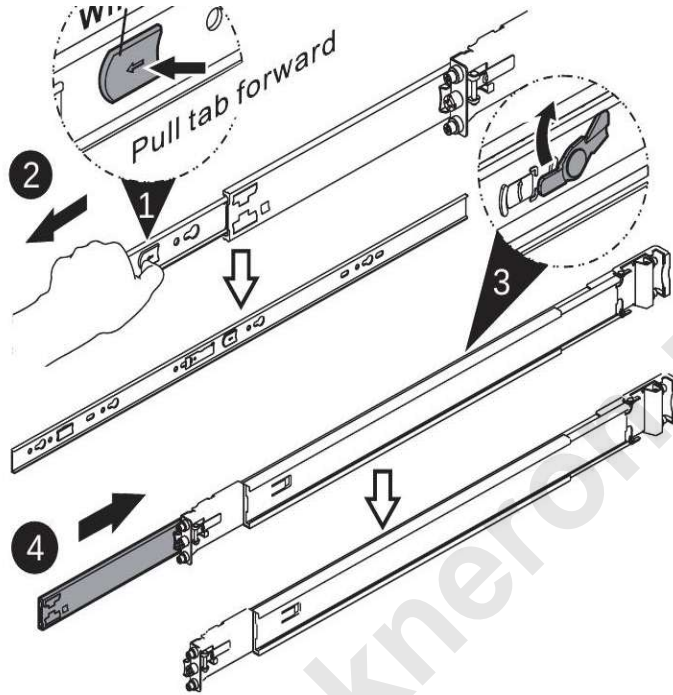


Figure 2 Step 1 — Detaching the inner rail member from the outer/middle assembly

### Step 2 — Attach the inner member to the KNEO350 chassis.

Align the inner rail member with the mounting holes on the side of the KNEO350 chassis. Press until the stud clicks into the keyhole slot to secure. Repeat for the opposite side.

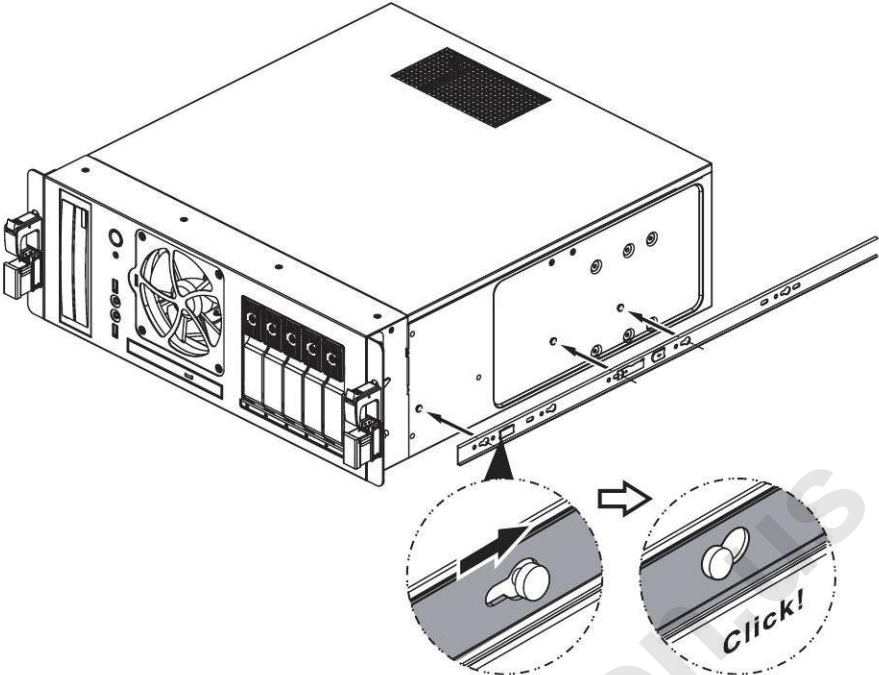


Figure 3 Step 2 — Attaching the inner rail member to the KNEO350 chassis

### Step 3 — Attach the outer member to the rack cabinet.

Hook the front bracket of the outer rail member onto the front rack post. Extend the rail to reach the rear post and hook it in. Press until both front and rear clips click securely into the rack post holes. Repeat for the other side.

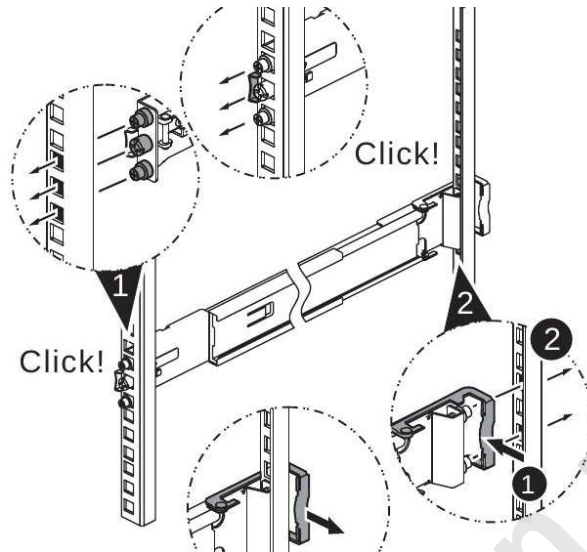


Figure 4 Step 3 — Mounting the outer rail member to the server rack cabinet

### Step 4 — Insert the KNEO350 chassis to complete the installation.

**Step 4.1.** Pull the middle rail member out to the fully extended locked position.

**Step 4.2.** Ensure the ball bearing retainer is located at the front of the middle member.

**Step 4.3.** Align the inner members (attached to the chassis) with the middle-outer rail assembly and slide the chassis in.

**Step 4.4.** When the chassis hits a stop, pull or push the blue release tab to unlock and continue retracting the chassis fully into the rack.

- 4) INSERT THE CHASSIS TO COMPLETE THE INSTALLATION.
- Step 1.  
Pull the middle member fully extended in locked position.
- Step 2.  
Ensure ball bearing retainer is located at the front of the middle member.
- Step 3.  
Insert chassis into middle-outer member.
- Step 4.  
When hit a stop, pull / push release tab to unlock and retract chassis into rack.

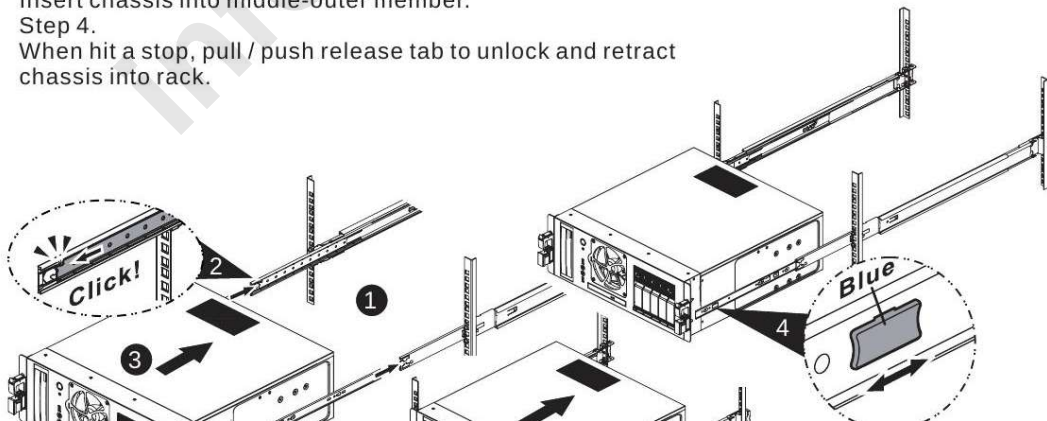


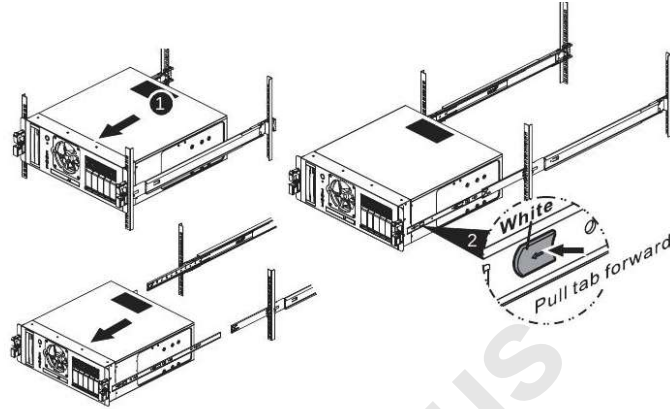
Figure 5 Step 4 — Inserting the KNEO350 chassis into the rack

## 5. Removing the Chassis from the Rack

**Step 5.1.** Pull the KNEO350 chassis out until the rails are fully extended and locked in position.

**Step 5.2.** Pull the white disconnect tab forward (toward the front of the chassis) to release the inner member and fully remove the chassis from the rack.

- Step 1.  
Pull the rails fully extended  
in locked position.
- Step 2.  
Pull the disconnect tab forward  
to remove chassis.



### Warranty Information

Figure 6 Step 5 — Removing the KNEO350 chassis from the rack

## 6. Warranty Information

This product carries a limited warranty. The warranty period and terms may vary by region. For warranty information specific to your region, please contact your Kneron authorized distributor or visit <https://www.kneron.com>.

Table 2 Warranty Terms & Conditions

#	Warranty Terms & Conditions
1	Product component defects or damages resulting from defective production are covered under warranty. Defects or damages under the following conditions will be fixed or replaced at Kneron's discretion: (a) Usage in accordance with instructions provided in this manual, with no misuse, overuse, or other inappropriate actions. (b) Damage not caused by natural disaster (thunder, fire, earthquake, flood, salt, wind, insect, animals, etc.). (c) Product is not disassembled, modified, or repaired without authorization. (d) Warranty mark/stickers are not removed or broken. Loss or damages resulting from conditions other than those listed above are not covered under warranty.
2	Under warranty, Kneron's maximum liability is limited to the current market value of the product (depreciated value, excluding shipping, handling, and other fees). Kneron is not responsible for other damages or losses associated with the use of the product.
3	Under warranty, Kneron is obligated to repair or replace defective products. Under no circumstances will Kneron be liable for damages in connection with the sale, purchase, or use of the product, including but not limited to loss of data, loss of business, loss of profits, or incidental/consequential damages.
4	Warranty covers only the original purchaser through authorized Kneron distributors and resellers, and is not transferable.
5	You must provide a sales receipt or invoice with a clear indication of purchase date to determine warranty eligibility.
6	If a problem develops during the warranty period, please contact your Kneron authorized distributor or visit <a href="https://www.kneron.com">https://www.kneron.com</a> for support. You must provide proof of original purchase; you shall bear the cost of shipping the product to the authorized service center. An RMA number must be issued before returning any product.

### Contact & Support

**Kneron, Inc.**

Website: <https://www.kneron.com>

Contact: [info@kneron.us](mailto:info@kneron.us)

Address: 10052 Mesa Ridge Court, #202, San Diego, California 92121, USA

