



**KNEO330 Plus AI Server
Rail Installation Guide**

info @ kneron.us

Table of Contents

1. Introduction	4
2. Special Features	4
3. Specifications	4
4. Installation Procedure.....	5
5. Warranty Information.....	9

info @ kneron.us

List of Figures

Figure 1 Step 1 — Pulling the front release latch to separate inner and outer slide members.....	5
Figure 1 Steps 2 & 3 — Adjusting brackets and mounting the outer slide member to the rack	6
Figure 1 Step 4A — Front L-bracket attachment (430 mm chassis, left; over 430 mm chassis, right)	7
Figure 1 Step 4B — Rear L-bracket attachment (430 mm chassis, left; over 430 mm chassis, right).....	7
Figure 1 Step 5 — Securing the inner slide member to the KNEO330 Plus chassis using M4×6 screws.....	8
Figure 1 Step 6 — Inserting the KNEO330 Plus chassis into the intermediate slide members.....	8

List of Tables

Table 1 Rail Kit Specifications.....	4
Table 1 Hardware Reference — Screws and Fasteners	4
Table 1 Warranty Terms & Conditions.....	9

Revision History

Author	Version	Protocol Ver.	Revision Date	Revision Description
—	V1.0	N/A	2025/06/24	KNEO330 Plus Rail Installation Guide — Initial release.

1. Introduction

This Samurai series rail kit is designed to support rack-mount installation of the Kneron KNEO330 Plus AI Server into standard 19-inch server rack cabinets. The slide assembly consists of an outer slide member (cabinet member) and an inner slide member (chassis member). Each slide is pre-attached with front (W-528) and rear (W-529) adjustable EIA brackets, supporting a rack depth range of 430 mm to over 430 mm. The tool-less front bracket combines with a screw-secured rear bracket for a secure and adjustable installation.

2. Special Features

- Pre-attached adjustable front (W-528) and rear (W-529) EIA brackets
- Supports rack depth from 430 mm and above
- Tool-less front clip mechanism with front activating release latch
- Screw-secured rear L-bracket for additional stability
- Compatible with standard 19-inch EIA server rack cabinets
- Compatible with KNEO330 Plus chassis (440 mm wide)

3. Specifications

Table 1 Rail Kit Specifications

Item	Specification
Model No.	Samurai Series (W-528/W-529 adjustable EIA)
Compatible Chassis	KNEO330 Plus AI Server
Material	Steel
Adjustable Range	430 mm to 610 mm rack depth
Hardware Included	M5×15 screws, M5×12 screws, M4×6 screws, Bar Nuts, 12 mm Nylon Rings
Mounting Type	Tool-less front EIA bracket + rear L-bracket screw mount

Table 2 Hardware Reference — Screws and Fasteners

Location	Hardware	Purpose
Step 2 – Front bracket	M5×15 screw + 12mm Nylon Ring	Attaches L-bracket to front rack mounting flange
Step 2 – Front bracket (≥430mm chassis)	M5×12 screw + 12mm Nylon Ring	Recess mounting option for chassis ≥430mm depth
Step 3 – Rear bracket	M5×12 screw + 12mm Nylon Ring	Attaches L-bracket to rear rack mounting flange
Step 5 – Inner slide	M4×6 screw	Secures inner slide member to KNEO330 Plus chassis

4. Installation Procedure

Follow all six steps below to install the KNEO330 Plus AI Server into a server rack cabinet. Please read through the complete procedure before beginning.

Step 1 — Separate the inner slide member from the outer member.

Take the inner slide member (chassis member) apart from the outer slide member (cabinet member) by pulling the front activating release latch forward.

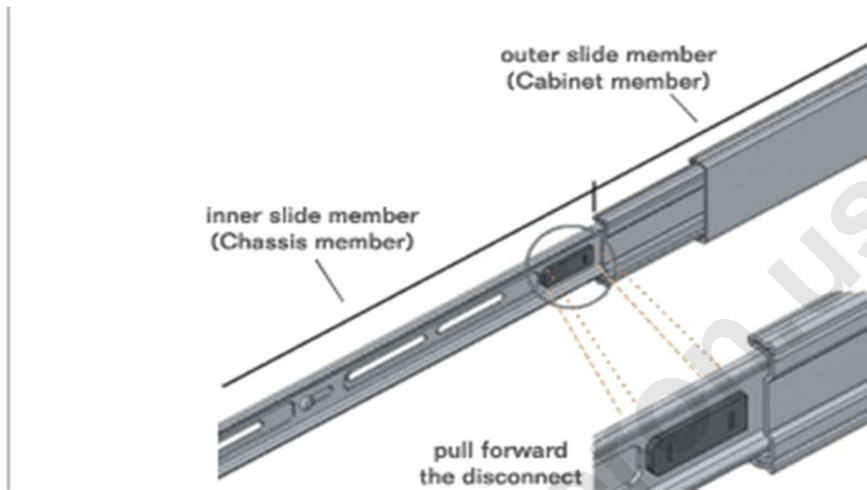


Figure 1 Step 1 — Pulling the front release latch to separate inner and outer slide members

Steps 2 & 3 — Mount the outer slide member to the rack.

Step 2. Each outer slide member is pre-attached with front (W-528) and rear (W-529) adjustable EIA brackets. Loosen the nuts on both brackets, and decide the proper setback distance to the opening, then tighten the nuts on the front brackets.

Step 3. Extend the rear brackets to where it reaches the rear rack. Do not fully tighten rear bracket mounting screws until final adjustment is made. Repeat Steps 2 & 3 for the other side of outer slide member.

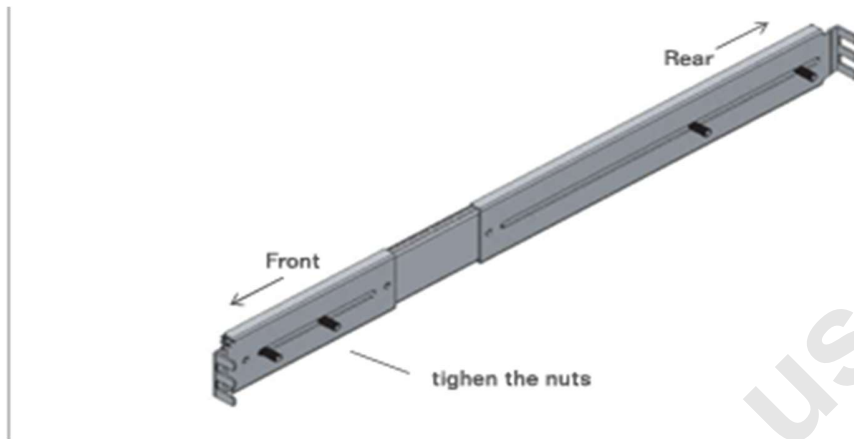


Figure 2 Steps 2 & 3 — Adjusting brackets and mounting the outer slide member to the rack

Step 4 — Attach the L-shaped bracket to the rack mounting flanges.

Step 4A — Front mounting flange:

Attach the L-shaped bracket to the front mounting flange using M5×15 screw & 12 mm nylon ring from the screw kit (bar nut kit is optional for your selection).

Note: For chassis depth 430 mm and above — Attach the L-shaped bracket to the back of the mounting flange using M5×12 screw & 12 mm nylon ring from screw kit (recess mounting).

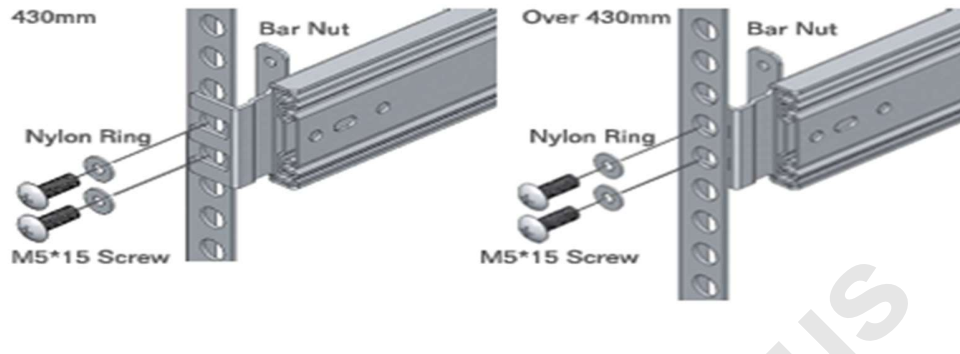


Figure 3 Step 4A — Front L-bracket attachment (430 mm chassis, left; over 430 mm chassis, right)

Step 4B — Rear mounting flange:

Attach the L-shaped bracket to the rear mounting flange using M5×12 screw & 12 mm nylon ring from screw kit, then tighten rear bracket mounting screws.

Note: For chassis depth 430 mm and above — Attach the L-bracket with the outer slide member to the back of the mounting flange (rack) using M5×12 screw & 12 mm nylon ring from screw kit.

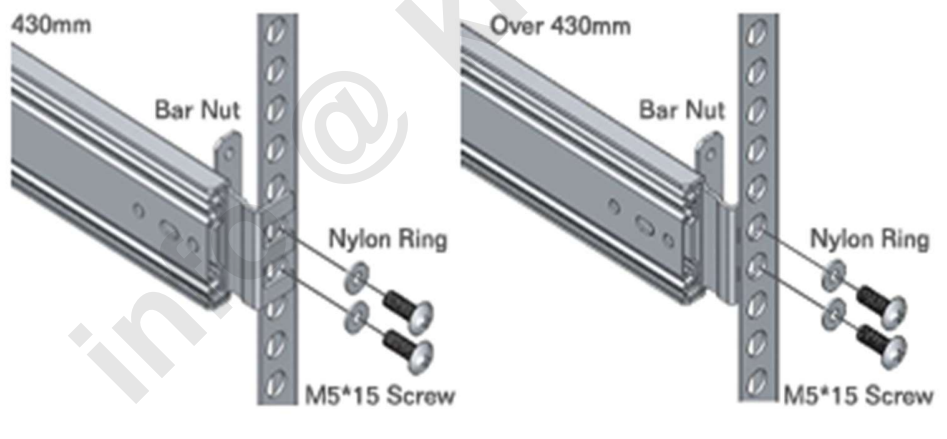


Figure 4 Step 4B — Rear L-bracket attachment (430 mm chassis, left; over 430 mm chassis, right)

Repeat Step 4 for the other side of the slide.

Step 5 — Attach the inner slide member to the KNEO330 Plus chassis.

Align the inner slide member with the chassis mounting holes. Secure using M4×6 screws from the screw kit. Repeat for the other side of the chassis.

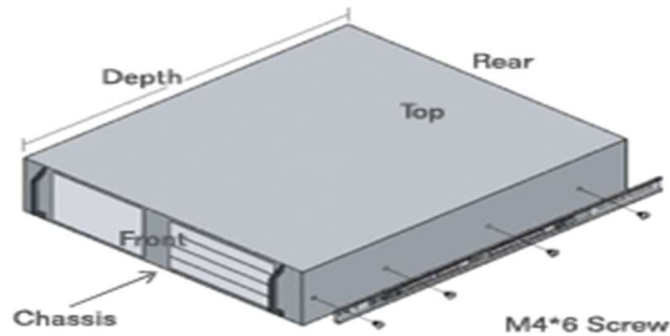


Figure 5 Step 5 — Securing the inner slide member to the KNEO330 Plus chassis using M4×6 screws

Step 6 — Insert the KNEO330 Plus chassis into the rack.

Pick up the KNEO330 Plus chassis and insert it — with the inner slide members attached — into the intermediate members of the outer slides. The chassis will be locked when it reaches the fully open position. Pull forward on the front activating release latch to push the chassis all the way inward until it reaches the closed position.

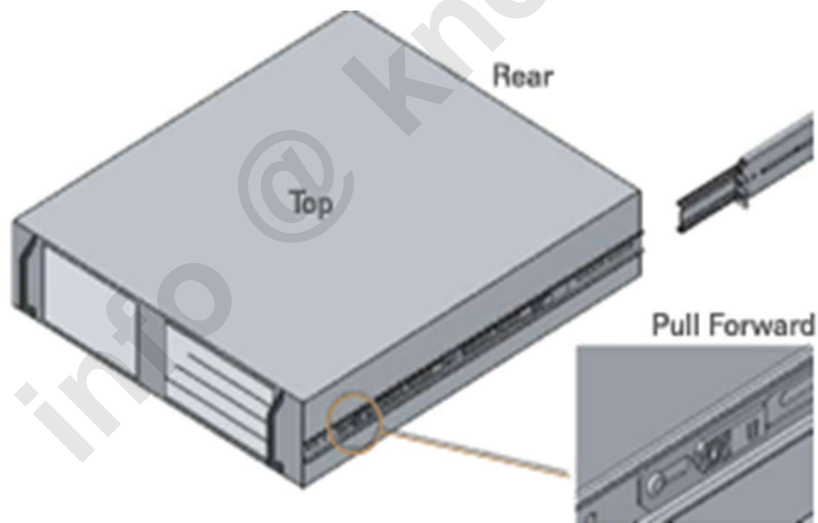


Figure 6 Step 6 — Inserting the KNEO330 Plus chassis into the intermediate slide members

5. Warranty Information

This product carries a limited warranty. The warranty period and terms may vary by region. For warranty information specific to your region, please contact your Kneron authorized distributor or visit <https://www.kneron.com>.

Table 3 Warranty Terms & Conditions

#	Warranty Terms & Conditions
1	Product component defects or damages resulting from defective production are covered under warranty. Defects or damages under the following conditions will be fixed or replaced at Kneron's discretion: (a) Usage in accordance with instructions in this manual, with no misuse, overuse, or inappropriate actions. (b) Damage not caused by natural disaster (thunder, fire, earthquake, flood, salt, wind, insects, animals, etc.). (c) Product is not disassembled, modified, or repaired without authorization. (d) Warranty mark/stickers are not removed or broken.
2	Under warranty, Kneron's maximum liability is limited to the current market value of the product (depreciated, excluding shipping and handling fees). Kneron is not responsible for other damages or losses associated with product use.
3	Under warranty, Kneron is obligated to repair or replace defective products. Kneron shall not be liable for loss of data, loss of business, loss of profits, or any incidental/consequential damages.
4	Warranty covers only the original purchaser through authorized Kneron distributors and resellers, and is not transferable.
5	You must provide a sales receipt or invoice with a clear purchase date to determine warranty eligibility.
6	If a problem develops during the warranty period, please contact your Kneron authorized distributor or visit https://www.kneron.com . An RMA number must be issued before returning any product.

Contact & Support

Kneron, Inc.

Website: <https://www.kneron.com>

Contact: info@kneron.us

Address: 10052 Mesa Ridge Court, #202, San Diego, California 92121, USA

